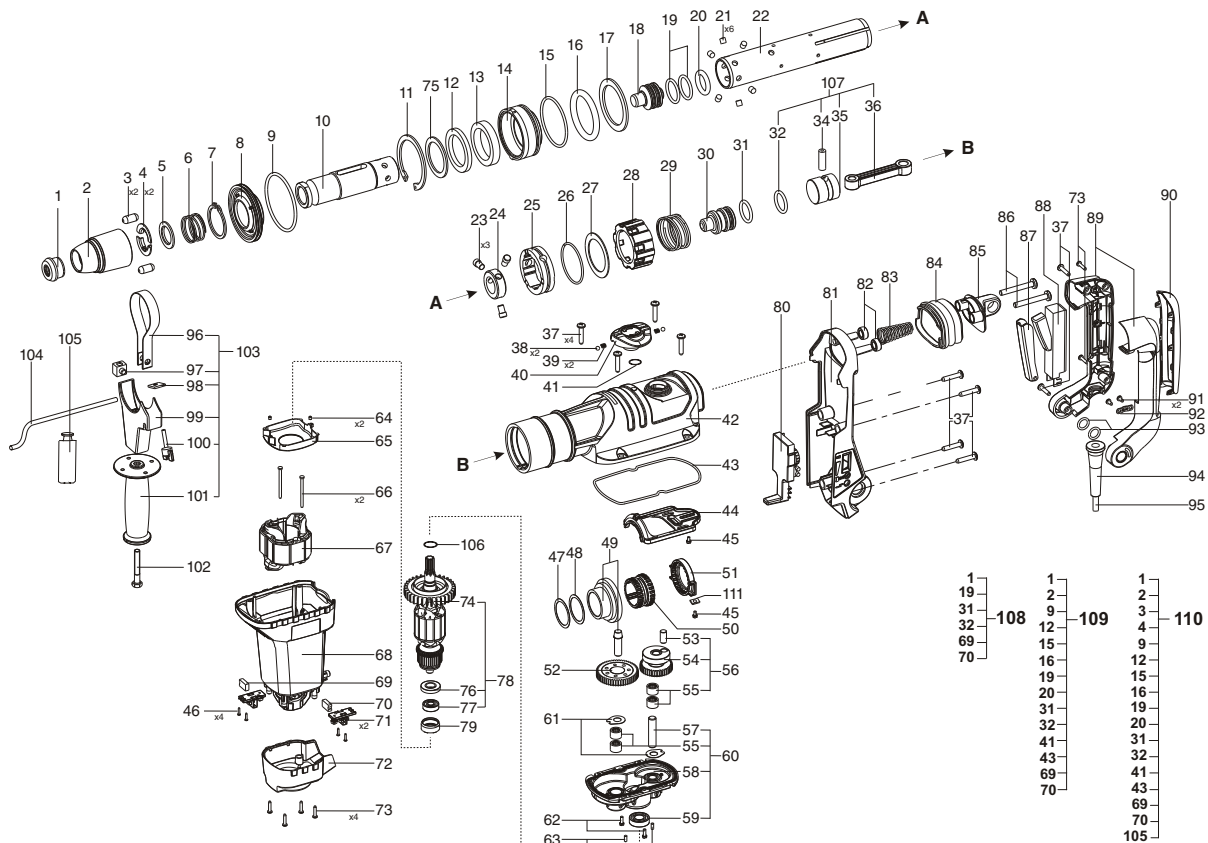


POS. No.	Ref.No.	Description	POS. No.	Ref.No.	Description
1	131082	Rubber bush	61	131940	Spacer washer
2	131930	SDS Cover set	62	132644	Screw
3	131089	Round cotter	63	115865	Pin
4	131085	Semiring	64	272961	Claming pin
5	131088	Backing ring	65	131918	Diffuser
6	131084	Spring	66	361368	Screw K 4X45/25 TORX 20
7	331260	Circlip B30	67	131915	Stator set
8	131905	Locking ring	68	131917	Body
9	330850	O-ring 60x3 NBR 70	69	131076	Brush
10	131904	SDS-Spindle	70	131966	Brush with a switch
11	330852	Circlip A 54-1BD	71	131923	Brush holder set
12	131883	Gasket	72	131922	Cover
13	330849	Gasket A 34x46x8 NBR	73	361328	Screw K4x18 TORX 20
14	131881	Front support	74	130960	Fan
15	330847	O-ring 48x2.0 NBR 70	75	131953	Spacer washer
16	330848	O-ring 40x6.0 NBR 70	76	131064	Protective washer
17	131885	Spacer washer	77	330291	Bearing 60002ZP63LDS18
18	131868	Intermediate stricker	78*	131911	Armature set
19	330844	O-ring 23x3 FPM 70	78	131361	Armature set
20	330845	O-ring 19x5 NBR 70	79	131952	Rubber bush
21	330605	Roller 6x6 D5402	80	131920	Electronic block
22	131875	Spindle	81	131919	Cover
23	131879	Pin	82	131950	Tampon
24	131878	Interior ring	83	131934	Spring
25	131876	Exterior ring	84	131935	Gasket
26	330851	Circlip	85**	131933	Joint
27	131884	Spacer washer	85	148303	Joint
28	131887	Support	86	361391	Screw J2-M6x45
29	131886	Spring	87	170108	Trigger
30	131866	Stricker	88	131079	Switch
31	330843	O-ring 22x3.5 FPM 70	89	131936	Casing handle set
32	330846	O-ring 22x4.0 FPM 70	90	131937	Insert
34	131872	Axle	91	361360	Screw K 4X9.5 TORX 20
35	131990	Piston	92	256500	Cord clamp
36	131871	Pitman	93	132150	Rubber bush
37	361370	Screw K5X25(D10) TORX 20	94	131939	Cord protector
38	330074	Pellet 5-200	95	158877	Cord with a plug RAL 3020
39	116913	Spring	96	131947	Base clamp
40	131897	Change Knob Set	97	131110	Stretching plate
41	330350	O-ring 26X2 NBR70	98	131109	Plate for limiter
42	131853	Gear box	99	131946	Console
43	131984	Gasket	100***	111028	Butterfly bolt
44	131901	Fork	100	175653	Butterfly bolt
45	361358	Screw J2-M4x8-8.8	101***	173727	Handle
46	361360	Screw K 4X9.5 TORX 20	101	146376	Handle AVR M8/L30
47	131896	Spacer washer	102	360195	Bolt D1-M8X40
48	131929	Spacer washer	103	178550	Front handle set
49	131888	Gear set	104	131224	Depth gauge
50	131899	Tooth coupling	105	131287	Tube of oil
51	131902	Rack	106	330348	O-ring 2-12x1,5-2
52	131891	Protective assembly	107	131869	Piston set
53	131908	Axle	108	172392	First service pack
54	131907	Gear shaft	109	172393	Second service pack
55	330125	Bearing HK 1212	110	172394	Third service pack
56	131906	Gear shaft set	111	176807	Plate
57	131863	Axle			
58	131859	Bearing shield			
59	330854	Bearing 6002-2RSL/C3LHT23			
60	131858	Bearing shield set			

\* - till 17.Jun.2014; \*\* - till 19.Oct.2014;\*\*\*- till 20.Nov.2013; \*\*\*\* - till 30.Apr.2013;



172378

142133